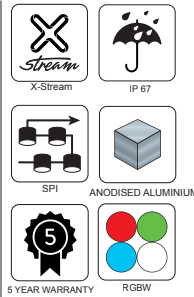


PUX 1 | PIXEL PUCK SERIES RANGE

The PUX 1 is a compact, high-performance pixel puck designed for dynamic architectural lighting applications. Engineered for indoor and outdoor use, it delivers reliable, precise illumination in a durable, low-profile form.

Equipped with SMD LEDs, the PUX 1 offers smooth, vibrant light with seamless integration into media facades, public spaces, and creative installations.

Built to withstand tough environments, the PUX 1 is IP67-rated for water and dust protection.



PART NUMBER CONFIGURATOR

Prefix	Model	LED String Qty	LED Colour	White CCT	Control	Pitch	Voltage	Lens Options	Housing Colour	Mount
PUX	1	1 2 3 4 5 6 7 8 9 10 12 13 14 15 ... 50	RGBW RGBA W - White	27K - 2700K 30K - 3000K 35K - 3500K 40K - 4000K	S - SPI X - XStream	70 80 90 100 110 120 130 140 150 ... 350	24 - 24V DC	BL - Black CL - Clear DM - Dome VB - Vinyl Black VG - Vinyl Grey VR - Vinyl RAL VW - Vinyl White	C - Custom RAL W - White	C - Clip

SPECIFICATIONS

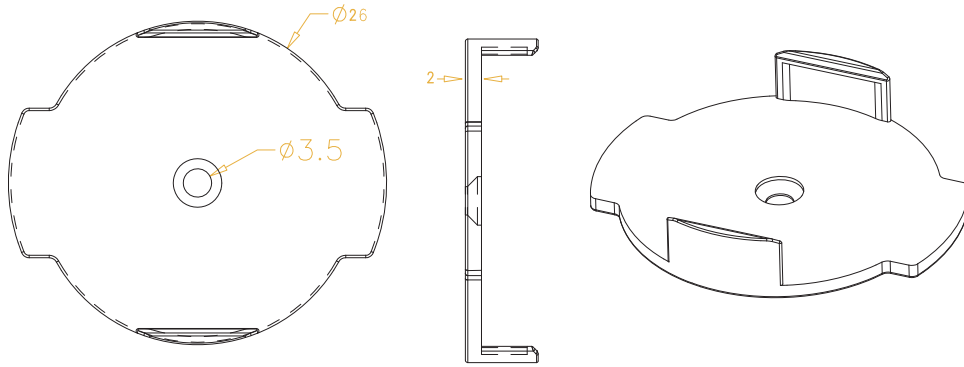
Example: PUX - 1 - 30 - RGBW - 27K - X - 150 - 24 - BL - W - C

Electrical	Power Consumption Operating Voltage Operating Temperature Storage Temperature	0.25W Max 9V DC -20°C TO 50°C - (-4°F TO 122°F) -20°C TO 70°C - (-4°F TO 158°F)
Physical	Dimensions Housing / Lens Weight Connectors IP Rating Finish Mounting Options Source Life Connection	Ø 26mm x 16mm (H) Aluminium Housing, PC Clear or Frosted Cover 0.056kgs/unit T-power Join, T-Power Break IP67 Die-cast Aluminium Clip Mount 50,000 hours / L70 at 25°C Flexible Cable
Optical	Beam Angle Colour Range White Colour LED Type Pitch Pixel Lumen Output	120° - 180° depending on diffuser shape RGBW, RGBA, White 2700K, 3000K, 3500K, 4000K 1pc SMD LEDs 70mm - 350mm (Standard) / Customised options available 25lm (White 6000K)
Dimming & Control	Dimming Protocols	X-Stream, SPI
Fixture Rating & Certifications	CE	
Limited Warranty	5 Years	Extendable Warranty Available

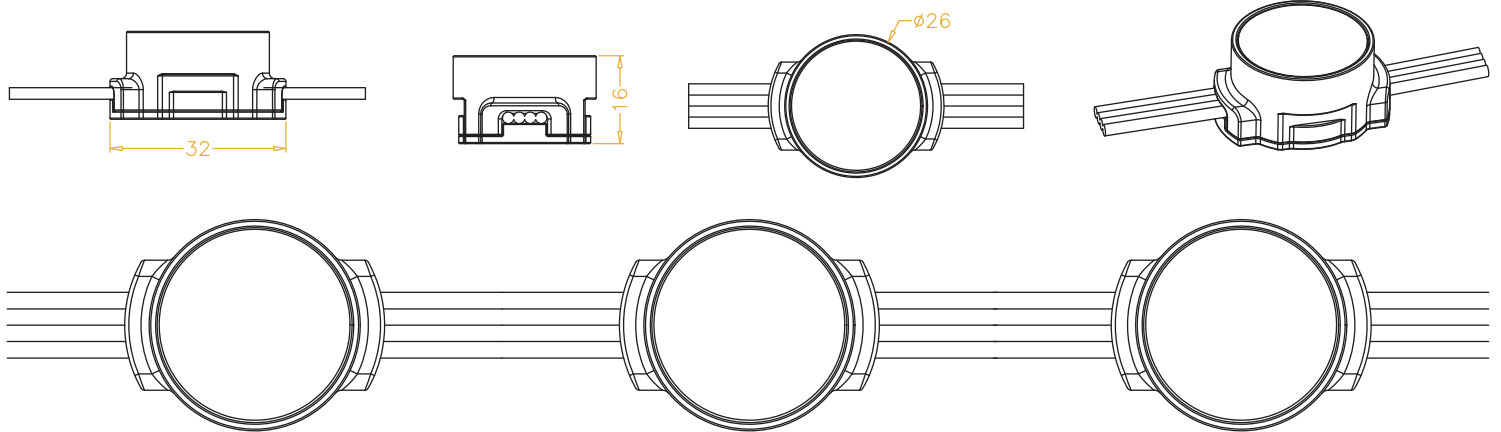
PUX 1 PIXEL PUCK SERIES RANGE

DIMENSIONS AND MOUNTING

CLIP MOUNT



CLEAR FLAT DIMENSIONS



DOME OPTION

